

DIVERSIFIED AIR SYSTEMS, INC.

MAXROLL™

Portable filtration unit / 650 CFM (305 L/s)

MAXCART™

*Portable filtration unit / 1500 CFM (710 L/s)
For 1 or 2 arms configuration*



- 99.9% efficiency at 1 micron
- Cart type unit for welding and grinding filtration
- Self cleaning by air pulse
- 3 steps filtration system
- 2 dust collector trays
- Tool free maintenance

Superior technology generating substantial operating savings

MAXROLL™ MAXCART™

High-Productivity Innovative Products

MAXROLL & MAXCART *Compact and portable filtration units*

When welding, grinding or dust source capture is necessary away from a fixed work station, both MAXROLL and MAXCART units are easily moved to the desired location with the help of swivel casters and push handles. Cartridge cleaning is a snap. Simply push the palm button to discharge the compressed air from the integrated air tank. Both units have large dust trays at the bottom and are emptied when needed. Backward inclined fans deliver great air volume while the foam insulated steel cabin ensures quiet running. MAXROLL and MAXCART portable units can be equipped with MAXFLO arms. The units may also be connected to a ductwork arrangement for remote source capture.

Industrial Air Specialists

With our headquarters in Louisville, Kentucky, Diversified Air Systems, Inc. has been providing quality air solutions to industrial and commercial facilities since 1981. During our more than thirty years of operation, Diversified Air Systems, Inc. has established two important company traditions: offering state-of-the-art equipment at competitive prices and achieving long-term customer satisfaction.

The staff of Diversified Air Systems, Inc. includes five application engineers, with a combined experience of more than 75 years in the air filtration and HVAC industry. Whether your facility requires an air filtration system for dust, mist, or fumes, or an HVAC solution to meet ventilation needs, Diversified Air Systems, Inc. has the equipment and expertise to meet the need.

Services include air quality analysis, system design, equipment sales, turnkey installation, onsite servicing, and supply of replacement filters and accessories.

Other Filtration Systems available:

Air Cleaners

Containment Booths

Decontamination Booths

Downdraft Tables

Dust Collectors

Fans and Blowers

Gas & Odor Control

High Vacuum Systems

Mist Collectors

Paint Booths

Stainless Steel Collectors

Vehicle Exhaust Systems

Wet Dust Collectors



MAXROLL PORTABLE WELDING AND GRINDING FILTRATION UNIT

Portable, powerful, affordable.

Most of our competitors do not include these standard features:

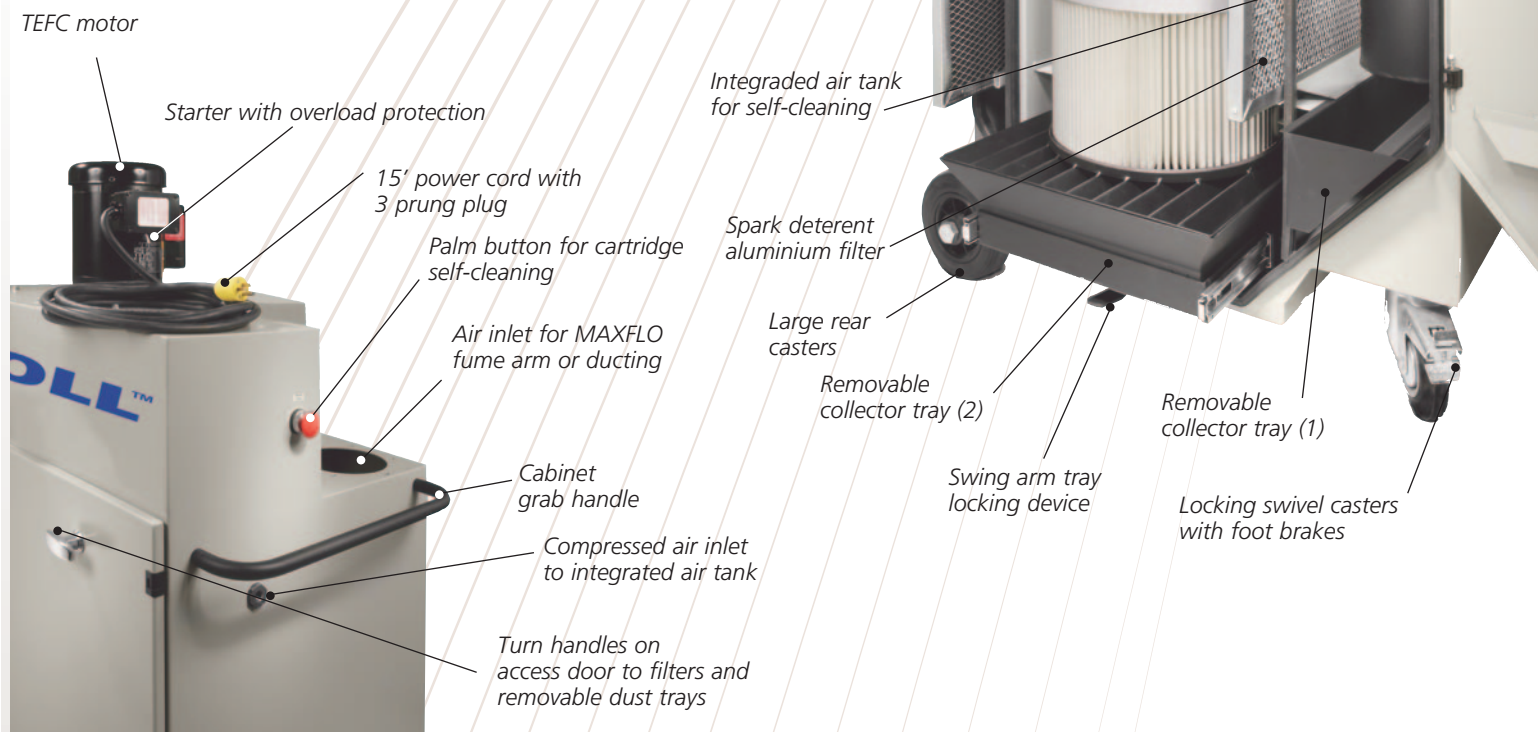
- 650 C.F.M. at the hood (305 L/s)
- Self-cleaning by air pulse
- Easy maintenance
- MAXFLO arm has no internal joints
- 69 dB(A) at 3' (1 meter)
- Backward inclined aluminum impeller
- Portable source capture
- Starter included
- Easy/very low cost maintenance of unit
- Shipped fully assembled (except for arm mount)
- Dusty air filtration and recirculation possibility
- Minimal spare parts required

OUTSTANDING MAXROLL FEATURES

Stainless steel cabinet for laboratory or food grade applications (optional)



650 C.F.M.
305 L/s



MODELS

Description	1HP motor 115/1/60	1HP motor 115/208/230/1/60	1 HP motor 208/230/460/3/60	1 HP motor 575/3/60
	Model no.	Model no.	Model no.	Model no.
Unit without MAXFLO arm	MR-100-11	MR-100-12	MR-100-324	MR-100-35
Unit with MAXFLO arm 6" x 7'	MR-107-11	MR-107-12	MR-107-324	MR-107-35
Unit with MAXFLO arm 6" x 10'	MR-110-11	MR-110-12	MR-110-324	MR-110-35

Note: units with standard 115/1/60 motors are supplied with starter, 15' power cord and 3 prong plug. Other voltages are supplied with starter, 15' power cord but no plug.

CHART 1

Unit		
Weight without arm	lb / kg	240 / 110
Weight with arm	lb / kg	292 / 132
Motor	TEFC	Frame 56 / C face
Power supply	V / Hz	As requested or specified
Power	HP / k--W	1 / 0.75
R.P.M.		3450
Pressured air tank		3 gallon capacity
Air pressure required		80 to 100 PSI
Pressured air connection		1/4" NPT
Airflow with arm	CFM / L/s	650 / 305
Airflow without arm	CFM / L/s	850 / 400
Noise level	dB(A)	69 @ 3' (1m)
Dust storage capacity	Tray # 1	0.5 gallon
	Tray # 2	2 gallon

CHART 3

Pulse cleaning operation	
Method	Push button standard (automatic optional)
Air pulse	Through venturi / reverse pulse
Valve	Diaphragm
Constant air connection	Not required
Tank fill time	4 to 6 seconds
Air pulse duration	200 ms
Air tank capacity	3 gallon
Required air pressure	80/90 P.S.I
Compressed air requirement	Dry and clean

CHART 2

Filters		
Prefilter included (aluminium)		
Quantity		1
Dimensions	in / mm	17 x 21 x 1 / 540 x 440 x 25
Filtering efficiency		25% @ 10 microns
Maintenance		Washable / replaceable
Main cartridge included (polyester, 130 sq. ft.)		
Quantity		1
Dimensions	in / mm	12.8 x 26 / 325 x 660
Filtering efficiency		99.9% @ 1 micron
Maintenance		Cleaned by air pulse / replaceable / washable
Final charcoal filter included (polyester fabric)		
Quantity		1
Dimensions	in / mm	17 x 21 x 1 / 540 x 440 x 25
Filtering efficiency		30% molecular
Maintenance		Disposable / replaceable
HEPA after-filter with rack (optional)		
Quantity		1
Dimensions	in / mm	16 x 20 x 6 / 400 x 500 x 150
Filtering efficiency		99.97%
Maintenance		Disposable / replaceable
CGM granular activated charcoal final filter (optional)		
Quantity		1
Dimensions	in / mm	17 x 21 x 1 / 540 x 440 x 25
Filtering efficiency		60-90 % molecular
Maintenance		Disposable / replaceable

CHART 4

Amperage draw		Amperage draw	
115-1-60	12 amps	460-3-60	1.6 amps
230-1-60	6.5 amps	575-3-60	1.4 amps
208-3-60	3.1 amps		

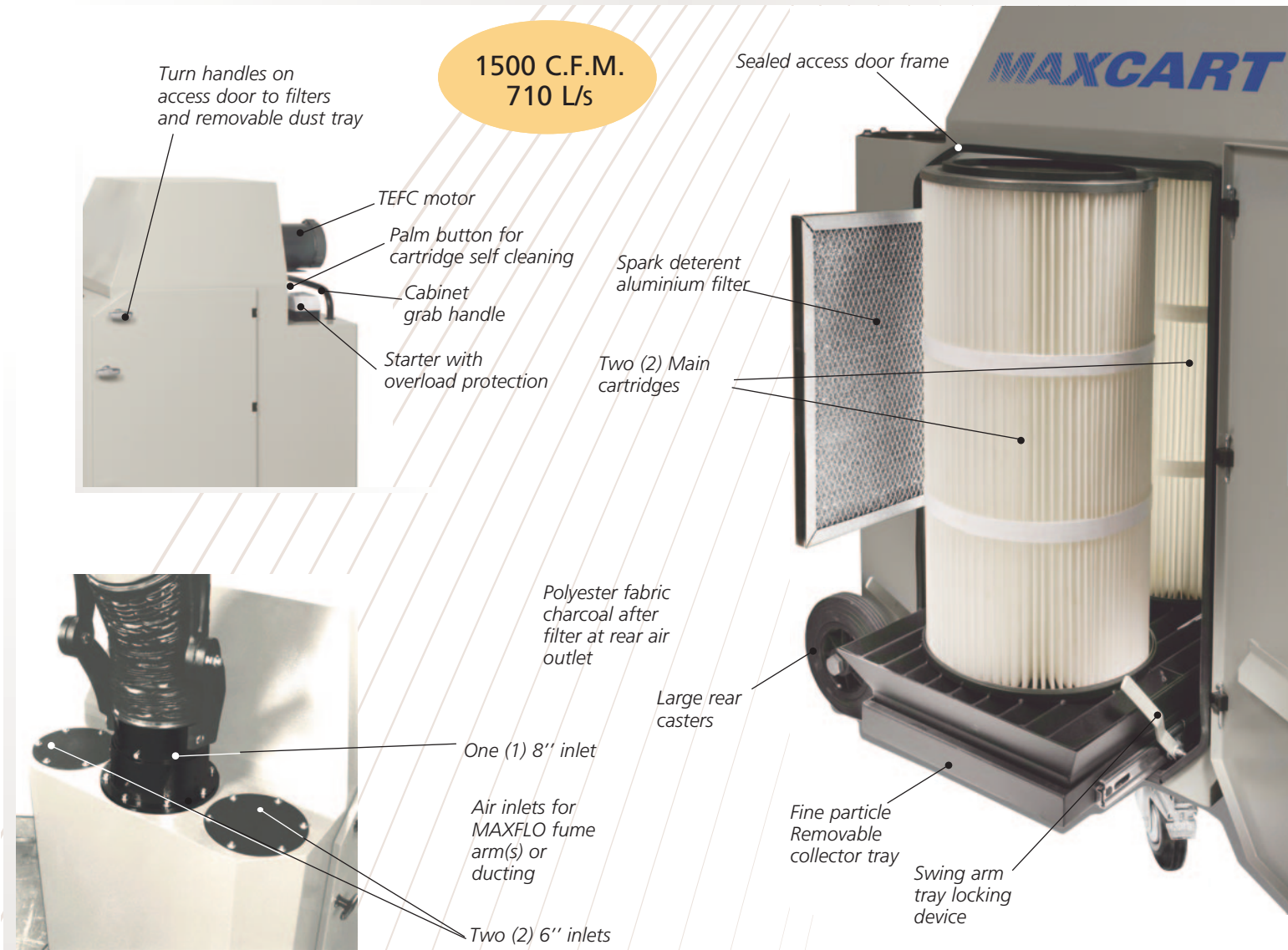
MAXCART PORTABLE FILTRATION UNIT/HIGH CFM CAPACITY

Higher air volume capability, dual or single MAXFLO fume arm options.

Most of our competitors do not include these standard features:

- 1500 C.F.M. at the hood (710 L/s)
- Self-cleaning by air pulsation
- Easy maintenance
- MAXFLO arm has no internal joints
- 76 dB(A) at 3' (1 meter)
- Backward inclined aluminum impeller
- Portable source capture
- Starter included
- Easy/very low cost maintenance of unit
- Shipped fully assembled (except for arm mount)
- Dusty air filtration and recirculation possibility
- Minimal or no spare parts required

OUTSTANDING MAXCART FEATURES



Note:

1. For better cartridge cleaning results, it is a recommended to shut unit off 30 seconds prior to activating pulse.
2. Do not operate pulse cleaning while access door is opened.
3. Optional HEPA / charcoal after-filters could decrease air volume by 15-20 %
4. It is not recommended to use MAXFLO 14' (4 m) arm with MAXROLL unit. Use of such arm may make unit to tip over.

MODELS

Description	3 HP motor 208/230/1/60	3 HP motor 208/230/460/3/60	3 HP motor 575/3/60
	Model no.	Model no.	Model no.
Unit without arm	MC-1500-122	MC-1500-324	MR-1500-35
Unit with 1 MAXFLO arm 8" x 7'	MC-1587-122	MC-1587-324	MR-1587-35
Unit with 1 MAXFLO arm 8" x 10'	MC-15810-122	MC-15810-324	MR-15810-35
Unit with 1 MAXFLO arm 8" x 14'	MC-15814-122	MC-15814-324	MC-15814-35
Unit with 2 MAXFLO arms 6" x 7'	MC-15267-122	MC-15267-324	MC-15267-35
Unit with 2 MAXFLO arms 6" x 10'	MC-152610-122	MC-152610-324	MC-152610-35
Unit with 2 MAXFLO arms 6" x 14'	MC-152614-122	MC-152614-324	MC-152614-35

Note: units are supplied with starter and 15' power cord (plug not included).

CHART 5

Unit		
Weight without arm	lb/kg	345 / 156
Weight with (1) arm — (2) arms	lb/kg	405/184 — 465 / 212
Motor	TEFC	Frame 56/C face
Power supply	V/Hz	As requested or specified
Power	HP/kW	3/2.2
R.P.M.		3450
Pressured air tank		3 gallon capacity
Air pressure required		80 to 100 P.S.I
Pressured air connection		1/4" N.P.T.
Airflow with (1) arm — (2) arms	CFM/L/s	1200 / 2035 — 375/ 640
Airflow without arms	CFM/L/s	1500/710
Noise level	dB(A)	76 @ 3' (1 m)
Dust storage capacity	Tray # 1	2 gallon

CHART 7

Pulse cleaning operation	
Method	Push button standard (automatic optional)
Air pulse	Through venturi/ reverse pulse
Valve	Diaphragm
Constant air connection	Not required
Tank fill time	4 to 6 seconds
Air pulse duration	200 ms
Air tank capacity	3 gallon
Required air pressure	80/90 psi
Compressed air requirement	Dry and clean

CHART 6

Filters		
Prefilter included (aluminium)		
Quantity	1	
Dimensions	in / mm	17 x 21 x 1 / 540 x 440 x 25
Filtering efficiency	25% @ 10 microns	
Maintenance	Washable / replaceable	
Main cartridge included (polyester, total of 260 sq.ft.)		
Quantity	2	
Dimensions	in/mm	12.8 x 26/325 x 660
Filtering efficiency	99.9% @ 1 micron	
Maintenance	Cleaned by air pulse/replaceable	
Final filter included (polyester fabric)		
Quantity	1	
Dimensions	in/mm	21 x 26 x 1/533 x 660 x 25
Filtering efficiency	30% molecular	
Maintenance	Disposable/replaceable	
HEPA after-filter with rack (optional)		
Quantity	1	
Dimensions	in/mm	20 x 28 x 6/500 x 700 x 150
Filtering efficiency	99.97%	
Maintenance	Disposable/replaceable	
CGM granular activated charcoal final filter (optional)		
Quantity	1	
Dimensions	in/mm	20 x 28 x 1/500 x 700 x 25
Filtering efficiency	60-90% molecular	
Maintenance	Disposable/replaceable	

CHART 8

Amperage draw		Amperage draw	
208/230/1/60	17 amps	460/3/60	4.8 amps
208/230/3/60	9.6 amps	575/3/60	3.9 amps

MAXROLL DIMENSIONS

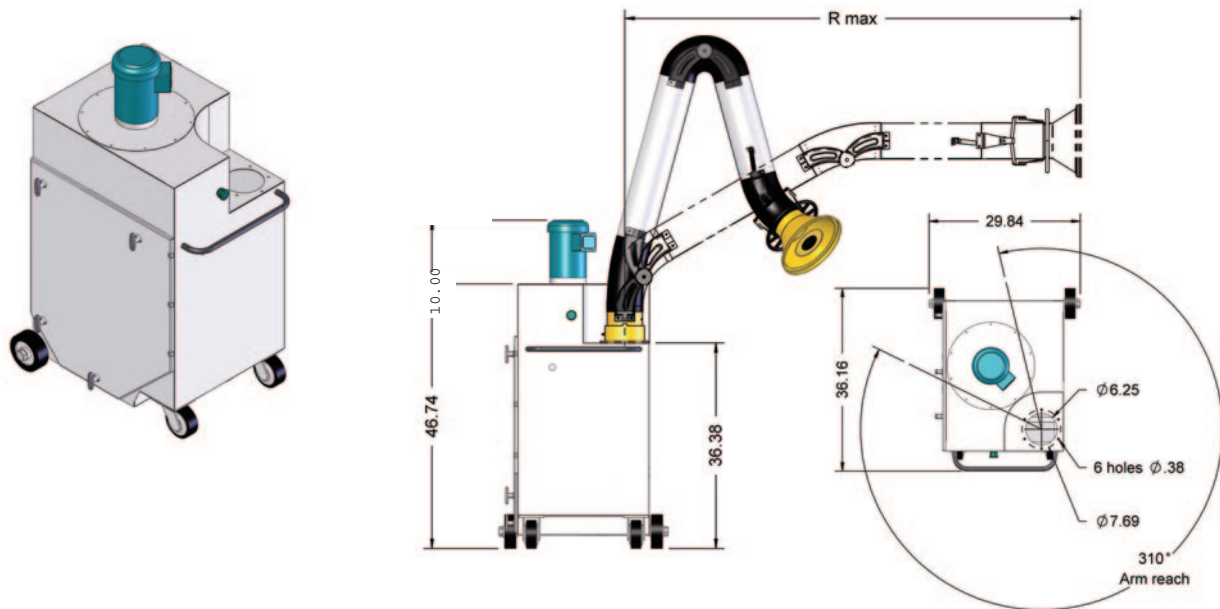
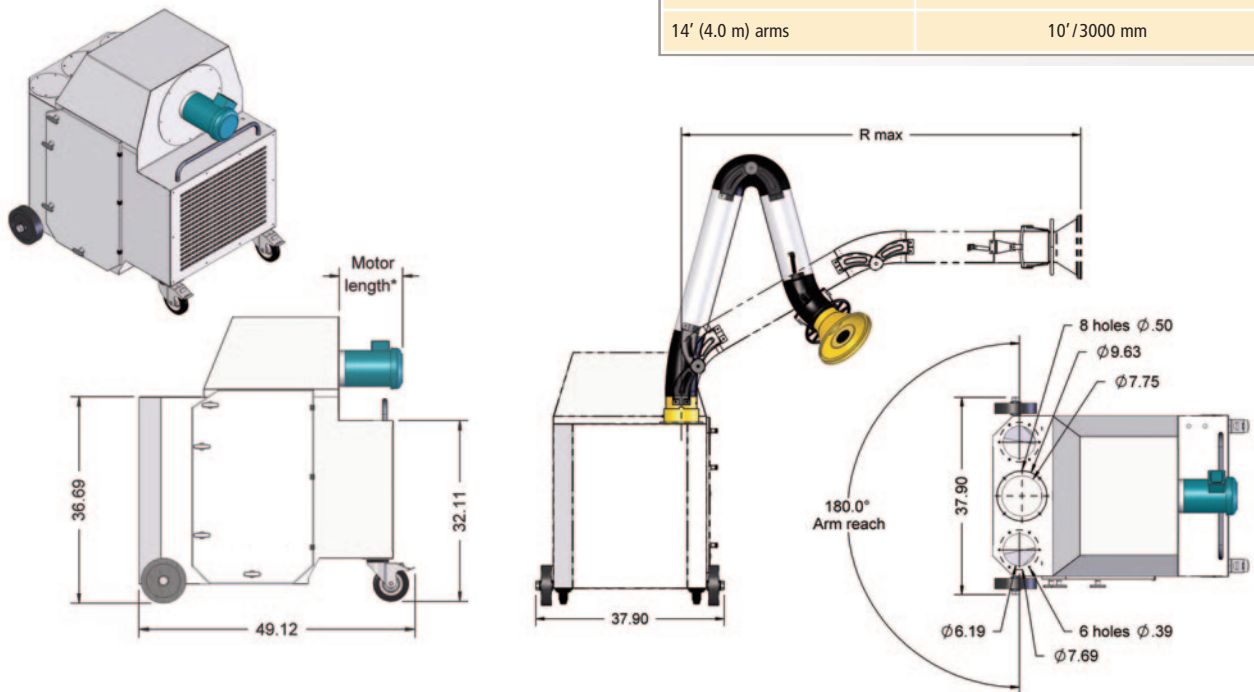


CHART 9

Reach (Rmax) of MAXFLO fume arms with portable units

7' (2.1 m) arms	5' / 1500 mm
10' (3.0 m) arms	7' / 2100 mm
14' (4.0 m) arms	10' / 3000 mm

MAXCART DIMENSIONS



Safety note: units are not designed to collect possible explosive dusts such as aluminum, magnesium, wood chips or similar. Refer to **ASHRAE** industrial ventilation handbook for references. If used for such applications, it is highly recommended to empty dust collector drawers in units between applications. **DO NOT MIX COLLECTION OF EXPLOSIVE DUSTS IN UNITS.**

Notes:

1. For better cartridge cleaning results, it is a recommended to shut unit off 30 seconds prior to activating pulse.
2. Do not operate pulse cleaning while access door is opened.
3. Optional HEPA after-filter will decrease air volume by 15-20 %.

CREATE YOUR MAXROLL PORTABLE FILTRATION UNIT SPECIFICATION

1. CABINET SHOULD HAVE THE FOLLOWING COMPONENTS:

Powder coat painted steel housing, 14 gauge, 1 HP TEFC direct drive motor/fan assembly with spark proof backward inclined aluminum impeller, 3450 RPM, 15' powercord, sound insulation foam for noise reduction 69 dB(A), swivel casters with foot brakes, sealed access door with twist handles, spark deterrent primary filter, main polyester filter cartridge (99.9% efficiency), polyester charcoal filter, cabinet grab handle, starter with overload protection and reset, three (3) gallon reserve air tank for pulse cleaning with palm button operation and air venturi, push button for air cleaning, two (2) removable dust drawers.

2. VOLTAGE TO BE:

115/1 /60 208/230/3/60
 230/1 /60 460/3/60 575/3/60

3. INLET CONNECTION TO BE EQUIPPED WITH:

A) MAXFLO fume arm model FA-PPG6-07 (6" X 7')

B) MAXFLO fume arm model FA-PPG6-10 (6" X 10')

C) flanged inlet for ducting or flexible hose connection

4. UNIT SHOULD BE EQUIPPED WITH:

A) automatic pulse cleaning with electronic control panel

B) light kit with hood switch

C) hood mounted fan switch

D) light kit with hood switch and hood mounted fan switch

E) CGM granular activated charcoal filter

F) HEPA (99.97%) final filter in exterior housing

G) filter status pressure gauge

CREATE YOUR MAXCART PORTABLE FILTRATION UNIT SPECIFICATION

1. CABINET SHOULD HAVE THE FOLLOWING COMPONENTS:

Powder coat painted steel housing, 14 gauge, 3 HP TEFC direct drive motor/fan assembly with spark proof backward inclined aluminum impeller, 3450 RPM, sound insulation foam for noise reduction 76 dB(A), swivel casters with foot brakes, sealed access door with twist handles, spark deterrent primary filter, (2) main filter cartridges (99.9% efficiency), polyester fabric charcoal filter, cabinet grab handle, starter with overload protection and reset, three (3) gallon reserve air tank for pulse cleaning with palm button operation and air venturi, removable dust drawer.

2. VOLTAGE TO BE:

230/1 /60 208/230/3/60
 460/3/60 575/3/60

3. INLET CONNECTION TO BE EQUIPPED WITH:

A) (2) MAXFLO fume arms FA-PPG6-07 (6" X 7')
B) (2) MAXFLO fume arms FA-PPG6-10 (6" X 10')
C) (2) MAXFLO fume arms FA-PPG6-14 (6" X 14')

D) (1) MAXFLO fume arm FA-PPG8-07 (8" X 7')

E) (1) MAXFLO fume arm FA-PPG8-10 (8" X 10')

F) (1) MAXFLO fume arm FA-PPG8-14 (8" X 14')

G) flanged inlets for ducting or flexible hoses connection

5. UNIT SHOULD BE EQUIPPED WITH:

A) automatic pulse cleaning with electronic control panel

B) light kit with hood switch

C) hood mounted fan switch

D) light kit with hood switch and hood mounted fan switch

E) CGM granular activated charcoal filter

F) HEPA (99.97%) final filter in exterior housing

G) filter status pressure gauge

Note : specifications listed above may be modified to suit application. Contact D.A.S. or representative for information.

Diversified Air Systems, Inc.

10801 Electron Drive, Louisville, Kentucky 40299

Toll free: **(800) 264-8958**

Tel.: **(502) 267-0333** • Fax: **(502) 267-4241**

Website: www.diversair.com • email: info@diversair.com