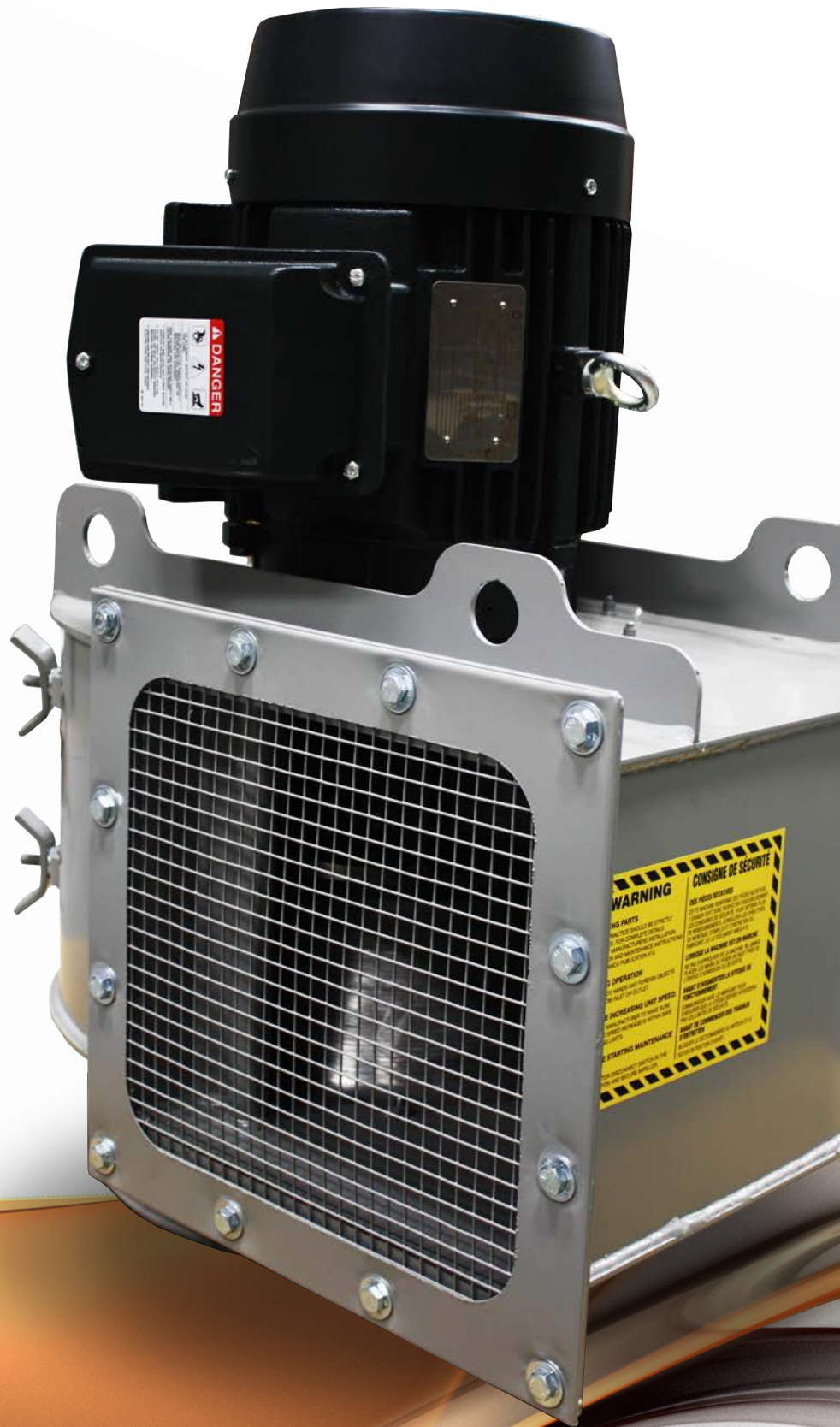


MAXFLO™

DDB Series



BACKWARD INCLINED DIRECT DRIVE BLOWER

DDB Series

THE BACKWARD INCLINED DIRECT DRIVE BLOWER

The DDB Series blower have a backward inclined wheel mounted directly on to the motor shaft. The motor is mounted outside the airflow and the design meets AMCA 'C' standards.

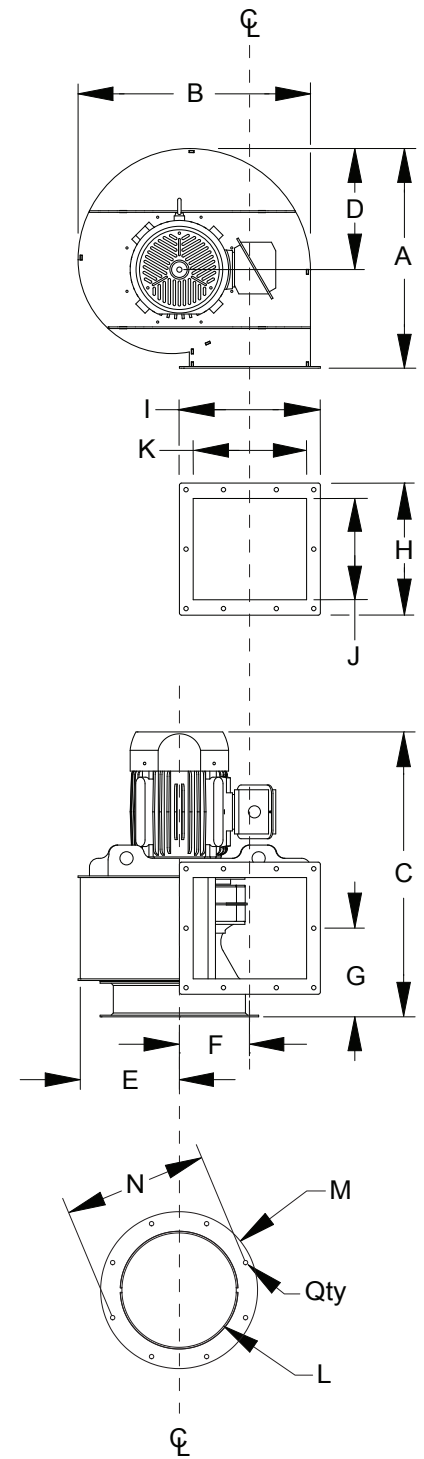
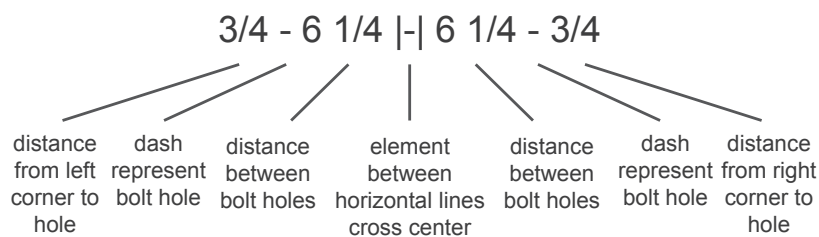
Maxflo blower design maximizes efficiency while reducing power loss, maintenance and troublesome adjustments.

A range of motors/blowers are available to cover airflows up to 10 000 cfm at 12" H₂O.

BOLT PATTERN FOR A SQUARE FLANGE

SIZE (I OR H)	BOLT PATTERN*
14"	3/4 - 6 1/4 - 6 1/4 - 3/4
15"	3/4 - 6 3/4 - 6 3/4 - 3/4
16"	3/4 - 4 1/4 - 6 - 4 1/4 - 3/4
17"	3/4 - 4 3/4 - 6 - 4 3/4 - 3/4
18"	3/4 - 5 1/4 - 6 - 5 1/4 - 3/4
20"	3/4 - 6 1/4 - 6 - 6 1/4 - 3/4
22"	3/4 - 4 1/4 - 6 - 6 - 4 1/4 - 3/4
23"	3/4 - 4 3/4 - 6 - 6 - 4 3/4 - 3/4
25"	3/4 - 5 3/4 - 6 - 6 - 5 3/4 - 3/4
30"	3/4 - 5 1/4 - 6 - 6 - 6 - 5 1/4 - 3/4

*Bolt pattern Legend



BLOWER MODEL	GENERAL DIMENSIONS							SQUARE FLANGE DIM.				CIRCULAR FLANGE DIM.		
	A	B	C	D	E	F	G	H	I	J	K	L	M	N
DDB-01	22 3/4"	25 7/8"	27 5/8"	12 1/2"	10 1/2"	7 7/8"	9 1/2"	14"	15"	10 1/4"	11 5/8"	13"	18"	16 1/2"
DDB-02	25"	27 1/2"	32 3/8"	13 3/4"	11 1/2"	8"	10 1/8"	15"	16"	11 1/2"	12 7/8"	14 1/2"	18"	16 1/2"
DDB-04	27 1/2"	31 1/4"	40 5/8"	14 3/4"	12 1/2"	9 3/4"	10 5/8"	16"	18"	12 3/4"	14 5/8"	16"	19 1/2"	18"
DDB-05	39 1/4"	44 1/4"	46"	22"	17 1/2"	14 1/4"	13 3/8"	22"	25"	18 1/8"	21 5/8"	24 5/8"	28"	26 1/2"
DDB-06	30"	34 3/8"	41 1/2"	17 3/4"	14"	10 3/8"	11 1/8"	17"	20"	13 5/8"	16 1/8"	18 1/8"	21 1/2"	20"
DDB-08	47 3/4"	52 1/2"	47 7/8"	28"	21 1/2"	18"	14 1/4"	23"	30"	19 3/4"	26 1/8"	33 1/2"	30 1/8"	33 1/2"
DDB-10	47 3/4"	54 1/2"	49 3/8"	28"	21 1/2"	18"	30 1/2"	25"	30"	21 3/8"	26 1/8"	33 1/2"	30 1/8"	33 1/2"

DDB Series

HEADLIGHT ADVANTAGES

Reduced initial cost

With the absence of pulleys, fan bearings and belts, The high efficiency blower design offer competitive manufacturing costs and lower power consumption.

Low maintenance cost

The optional quick access door and the absence of pulleys, fan bearings and belts reduces maintenance time and costs.

Compact design

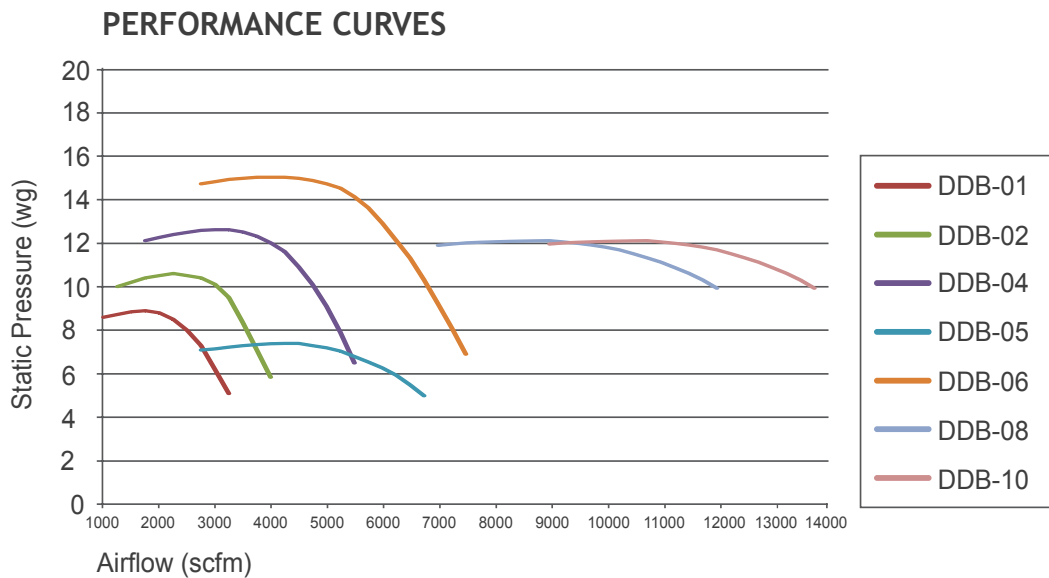
Mounts directly to the dust collector's clean-air plenum, eliminating costly transitions.

Explosion-proof motor (optional)

This class of motor is rated for use in explosive areas (outside the dirty air stream).

Pressures available up to 15" H2O

Static pressure capabilities help maintain CFM and air flow through heavy ductwork arrangement.



Qty	BLOWER MODEL	CFM	H2O	RPM	CLASS	MOTOR			SHIPPING WEIGHT (LBS)	DBA AT 5FT FROM FIELD
						HP	FRAME	Ø SHAFT		
8	DDB-01	3000	6	3450	IIs	5	184T	1.125	690	79.6
8	DDB-02	2500	10	3450	IIs	7.5	213T	1.375	771	81.4
8	DDB-04	4000	12	3450	III	15	254T	1.625	942	82
16	DDB-05	6000	6	1750	III	15	254T	1.625	1032	78.9
8	DDB-06	6000	12	3450	III	20	256TS	1.625	1168	85
16	DDB-08	8000	12	1750	III	30	286T	1.875	1187	82
16	DDB-10	10000	12	1750	III	30	286T	1.875	1193	82



Head Office

10801 Electron Drive.
Louisville, KY 40299

Tel. : 502.267.0333
Toll Free : 1-800.264.8958
Fax : 502.267.4241

info@diversair.com
www.diversair.com