

DIVERSIFIED AIR SYSTEMS, INC.

MAXDRIVE™

Extractor fan

- *Direct drive 3450 R.P.M.*
- *Backward inclined spark proof aluminum impeller*
- *Inlet wire protective mesh*



- *Inlet cone for maximum vacuum*
- *Interior or exterior installation*
- *Rugged painted steel construction*

Superior technology generating substantial operating savings

MAXDRIVE™

High-Productivity Innovative Products

MAXDRIVE *Direct drive extractor fan*

Manufactured with backward inclined aluminium blades, MAXDRIVE fans are designed to extract smoke, vapor and light dust away from the worker's breathing zone. The rugged steel housing with aluminum impeller assures a non-sparking design. MAXDRIVE can be mounted directly with MAXFLO fume arms, MAXBOOM extension booms or MAXREEL hose reels.

Industrial Air Specialists

With our headquarters in Louisville, Kentucky, Diversified Air Systems, Inc. has been providing quality air solutions to industrial and commercial facilities since 1981. During our more than thirty years of operation, Diversified Air Systems, Inc. has established two important company traditions: offering state-of-the-art equipment at competitive prices and achieving long-term customer satisfaction.

The staff of Diversified Air Systems, Inc. includes five application engineers, with a combined experience of more than 75 years in the air filtration and HVAC industry. Whether your facility requires an air filtration system for dust, mist, or fumes, or an HVAC solution to meet ventilation needs, Diversified Air Systems, Inc. has the equipment and expertise to meet the need.

Services include air quality analysis, system design, equipment sales, turnkey installation, onsite servicing, and supply of replacement filters and accessories.

Other Filtration Systems available:

Air Cleaners

Containment Booths

Decontamination Booths

Downdraft Tables

Dust Collectors

Fans and Blowers

Gas & Odor Control

High Vacuum Systems

Mist Collectors

Paint Booths

Stainless Steel Collectors

Vehicle Exhaust Systems

Wet Dust Collectors



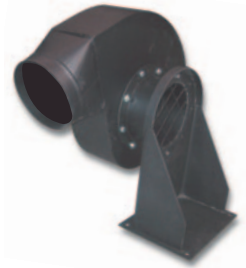
Please call 800-264-8958

MAXDRIVE THE RIGHT FAN FOR SOURCE EXTRACTION

Powerful, rugged and maintenance free

Most of our competitors do not include these standard features:

- Multi purpose for source capture
- 3450 R.P.M. direct drive design with T.E.F.C motors
- Aluminum backward inclined impeller with steel housing for spark-proof design
- Adjustable orientation air discharge
- Powder coat painted housing
- Duct flange connection included
- Inlet cone for maximum suction
- Inlet wide mesh protective screen



TYPICAL APPLICATIONS FOR MAXDRIVE EXTRACTOR FAN



CHART 1

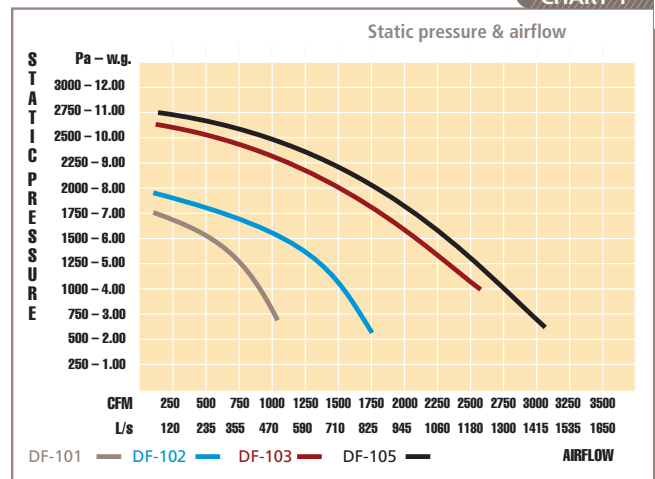
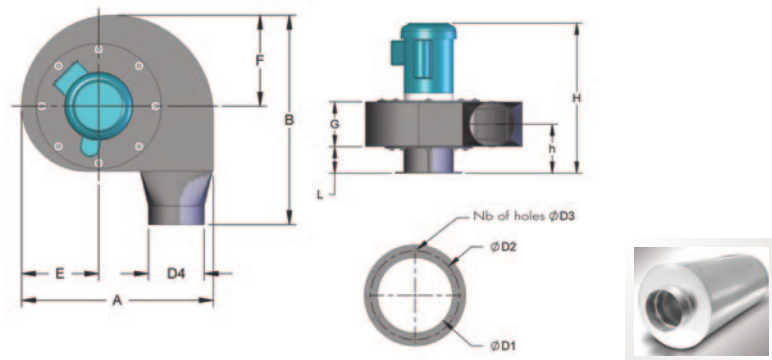


CHART 2

MAXDRIVE FANS (3450 R.P.M.)



Amperage draw					
Model	Voltage	Amperage	Model	Voltage	Amperage
DF-101	115-1-60	12	DF-103	115-1-60	N/A
	230-1-60	6.5		230-1-60	17
	208-3-60	3.1		208-3-60	9.6
	460-3-60	1.6		460-3-60	4.8
	575-3-60	1.4		575-3-60	3.9
DF-102	115-1-60	24	DF-105	115-1-60	N/A
	230-1-60	12		230-1-60	28
	208-3-60	6.8		208-3-60	15.2
	460-3-60	3.4		460-3-60	7.6
	575-3-60	2.7		575-3-60	6.1

Optional outlet silencer reduces dB level by 10 to 25% depending on model. MAXDRIVE direct drive fans are designed for high outlet velocity. Use of silencer may be required in some applications.

Contact factory or representative for details and specifications

CHART 3

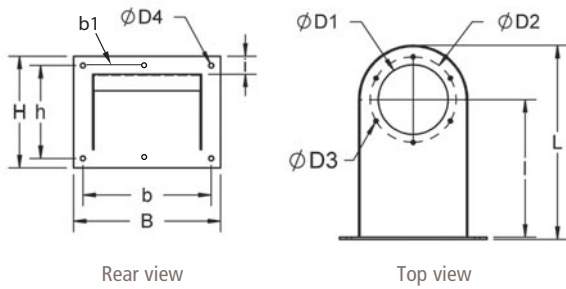
Model	Power [HP] / [Kw]	Dimensions [inches] / [mm]													Weight [lbs] / [kg]
		A	B	E	F	H	L	G	h	d1	d2	d3	d4	Nb	
DF-101	1 / 0.75	20.2 / 513	22.6 / 574	8.3 / 211	9.8 / 249	21.1 / 536	3.9 / 99	5.9 / 150	6.9 / 175	6.25 / 160	7.69 / 195	0.4 / 9	6 / 198	6	70 / 31.8
DF-102	2 / 1.50	22.7 / 577	24.8 / 630	9.2 / 234	11 / 279	24.8 / 630	4.9 / 124	6.3 / 160	7.4 / 188	8 / 200	9.69 / 246	0.4 / 9	8 / 249	8	82 / 37.3
DF-103	3 / 2.25	25.6 / 650	27.3 / 693	10.4 / 264	12.5 / 318	25.4 / 645	4.9 / 124	6.9 / 175	8.4 / 213	10 / 254	11.38 / 289	0.4 / 9	10 / 302	8	96 / 43.6
DF-105	5 / 3.55	25.6 / 650	27.3 / 693	10.4 / 264	12.5 / 318	27.3 / 693	4.9 / 124	7.8 / 198	8.8 / 224	12 / 305	13.5 / 343	0.4 / 9	12 / 302	8	166 / 75.5

Note 1 : MAXDRIVE fans are available in clockwise configuration only.

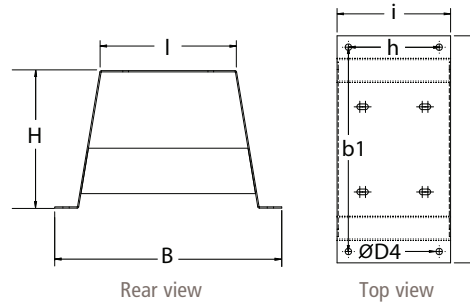
Note 2 : aluminum impeller is standard, optional steel impeller with high temperature resistant paint is available.

MAXDRIVE FAN SUPPORT BRACKET DIMENSIONS

Wall mount bracket



Roof top mount bracket



Bracket dimensions

CHART 4

Model	Power [HP] / [Kw]	Dimensions [inches] / [mm]													Weight [lbs] / [kg]
		D1	D2	Nb	D3	D4	L	l	H	h	B	b	b1	i	
DWF-1006	1 / 0.75	6.25/160	7.69 / 195	6	0.28 / 7	0.43 / 11	17.44 / 443	12.38 / 314	10 / 254	8.31 / 211	13.19 / 335	11.5 / 292	5.75 / 144	N/A	11 / 5
DWF-1008	2 / 1.50	8 / 200	9.69 / 246	8	0.35 / 9	0.43 / 11	22.44 / 570	15.25 / 387	11.88 / 297	9.75 / 248	15.5 / 394	13.63 / 346	6.75 / 170	N/A	13 / 5.9
DWF-1010	3 / 2.25	10 / 254	11.38 / 289	8	0.35 / 9	0.43 / 11	22.44 / 570	15.25 / 387	11.88 / 297	9.75 / 248	15.5 / 394	13.63 / 346	6.75 / 170	N/A	15 / 6.8
DWF-1012	5 / 3.55	12 / 305	13.5 / 343	8	0.35 / 9	0.43 / 11	26.31 / 668	18.38 / 467	11.88 / 297	9.75 / 248	18.13 / 460	16.13 / 410	8.00 / 200	N/A	21 / 9.5
DWF-103-SUP	1 to 3 / 2.25	N/A	N/A	4	N/A	0.56 / 14	16 / 400	7.77 / 194	10.10 / 252	6.50/162	8.00/200	N/A	14.00/350	8.00/200	12 / 5.4
DWF-105-SUP	5 / 3.55	N/A	N/A	4	N/A	0.56 / 14	20 / 500	11.77 / 294	12.10 / 302	8.00/200	10.00/250	N/A	18.00/450	10.00/250	16 / 7.2

CREATE YOUR MAXDRIVE EXHAUST FAN SPECIFICATION

1. FAN SHOULD HAVE THE FOLLOWING COMPONENTS:

11 and 14 gauge powder coat painted steel housing and backward inclined aluminum impeller, wide mesh protective screen at inlet, adjustable fan orientation discharge, direct drive 3450 R.P.M., TEFC motor.

2. FAN MODEL TO BE:

- A) DF-101 (1 H.P.)
- B) DF-102 (2 H.P.)
- C) DF-103 (3 H.P.)
- D) DF-105 (5 H.P.)

3. VOLTAGE TO BE:

- 115/1 /60 208/3 /60
- 230/1 /60 460/3/60 575/3/60

4. FAN MODEL TO BE:

- A) powder coat painted steel impeller for temperatures above (400 °F / 205 °C)
- B) fan to be included with wall/column support bracket
- C) fan to be included with roof support bracket
- D) motor cover for exterior installation
- E) outlet silencer
- F) fan starter with overload protection and IP 41 enclosure
- G) bolted flanged inlet for direct mount to MAXFLO fume arm, MAXREEL hose reel or MAXREACH extension swing boom (1 and 2 HP only)
- H) slip fit inlet for ducting or flexible hose connection

Diversified Air Systems, Inc.

10801 Electron Drive, Louisville, Kentucky 40299

Toll free: **(800) 264-8958**

Tel.: **(502) 267-0333** • Fax: **(502) 267-4241**

Website: www.diversair.com • email: info@diversair.com